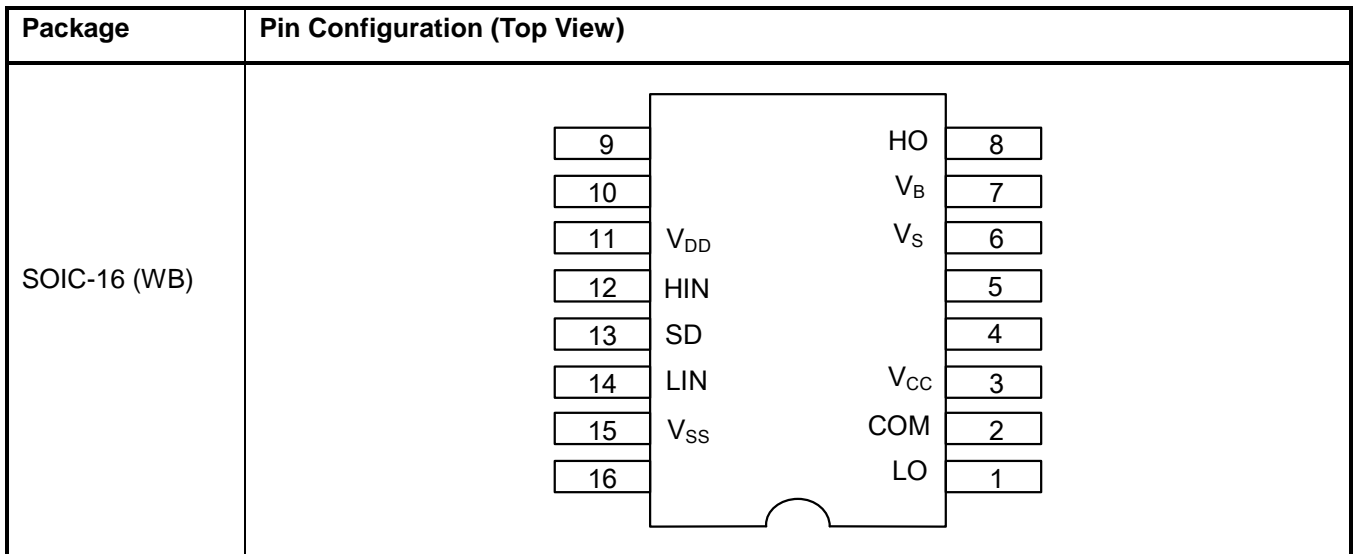


PIN CONFIGURATION



PIN DESCRIPTION

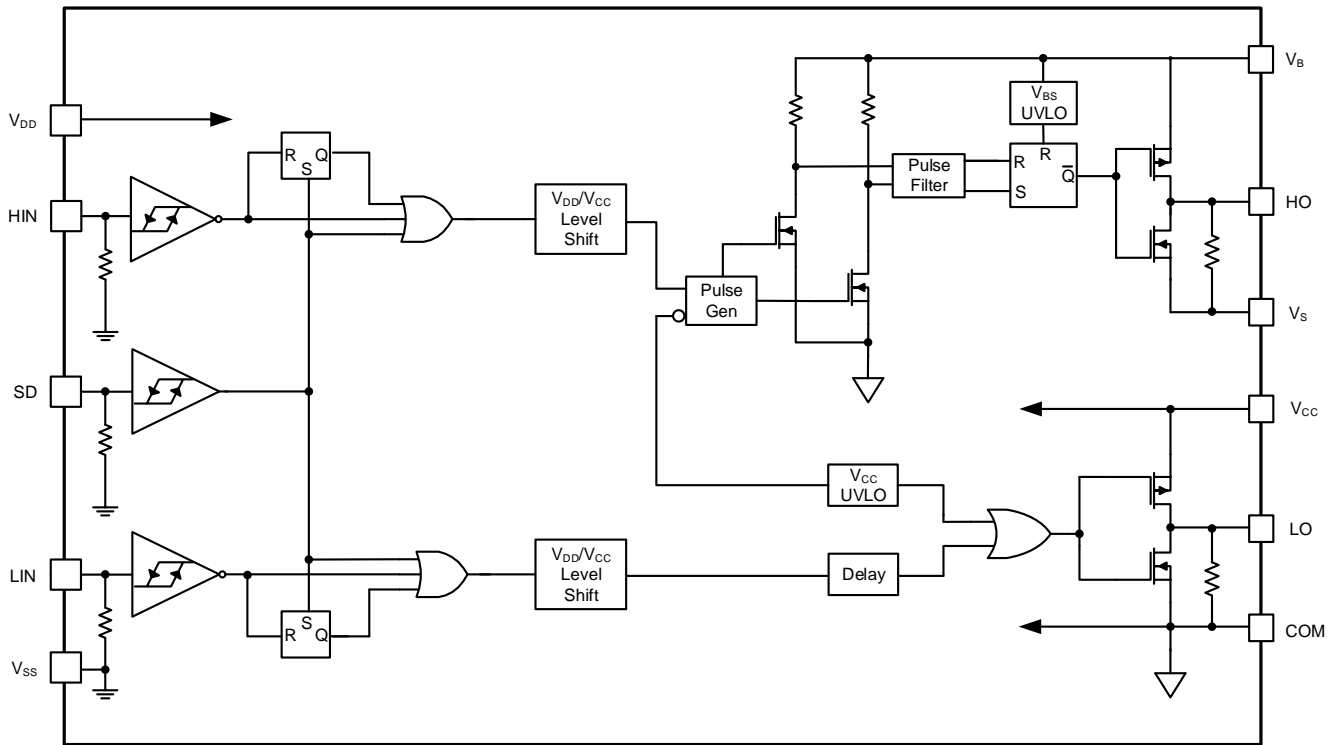
No.	Pin	Description
1	LO	Low-side gate drive output
2	COM	Low-side return
3	V _{CC}	Low-side supply
4	NC	No connection
5	NC	No connection
6	V _S	High-side floating supply return
7	V _B	High-side floating supply
8	HO	High-side gate drive output
9	NC	No connection
10	NC	No connection
11	V _{DD}	Logic supply
12	HIN	Logic input for high-side gate driver output (HO), in phase
13	SD	Logic input for shutdown
14	LIN	Logic input for low-side gate driver output (LO), in phase
15	V _{SS}	Logic ground
16	NC	No connection

ORDERING INFORMATION

Industrial Range: -40°C to +125°C

Order Part No.	Package	QTY
SLM2110CG	SOIC16 (WB), Pb-Free	1500/Reel

FUNCTIONAL BLOCK DIAGRAM



ABSOLUTE MAXIMUM RATINGS

Symbol	Definition	Min.	Max.	Units
V _B	High-side floating absolute voltage	-0.3	625	V
V _S	High-side floating supply offset voltage	V _B - 25	V _B + 0.3	
V _{HO}	High-side floating output voltage	V _S - 0.3	V _B + 0.3	
V _{CC}	Low-side supply voltage	-0.3	25	
V _{DD}	Logic supply voltage	-0.3	V _{SS} + 20	
V _{SS}	Logic supply offset voltage	V _{CC} - 20	V _{CC} + 0.3	
V _{LO}	Low-side output voltage	-0.3	V _{CC} + 0.3	
V _{IN}	Logic input voltage (HIN, LIN, & SD)	V _{SS} - 0.3	V _{DD} + 0.3	
dV _S /dt	Allowable offset supply voltage transient	---	50	V/ns
P _D	Package power dissipation @ T _A ≤ +25°C	---	1.25	W
θ _{JA}	Thermal resistance, junction to ambient	---	100	°C/W
T _J	Junction temperature	---	150	°C
T _S	Storage temperature	-55	150	
T _L	Lead temperature (soldering, 10 seconds)	---	300	

Note: Absolute maximum ratings indicate sustained limits beyond which damage to the device may occur. All voltage parameters are absolute voltages referenced to COM. The thermal resistance and power dissipation ratings are measured under board mounted and still air conditions.

RECOMMENDED OPERATION CONDITIONS

Symbol	Definition	Min.	Max.	Units
V _B	High-side floating absolute voltage	V _S + 10	V _S + 20	V
V _S	High-side floating supply offset voltage		600	
V _{HO}	High-side floating output voltage	V _S	V _B	
V _{CC}	Low-side supply voltage	10	20	
V _{DD}	Logic supply voltage	V _{SS} + 3	V _{SS} + 20	
V _{SS}	Logic supply offset voltage	-5	5	
V _{LO}	Low-side output voltage	0	V _{CC}	
V _{IN}	Logic input voltage (HIN, LIN, & SD)	V _{SS}	V _{DD}	
T _A	Ambient temperature	- 40	125	°C

Note: The input/output logic timing diagram is shown in Figure 1. For proper operation the device should be used within the recommended conditions. The VS offset rating is tested with all supplies biased at a 15 V differential.

DYNAMIC ELECTRICAL CHARACTERISTICS

V_{BIAS} (V_{CC} , V_{BS} , V_{DD}) = 15 V, C_L = 1000 pF and T_A = 25°C unless otherwise specified.

Symbol	Parameter	Condition	Min.	Typ.	Max.	Unit
t_{on}	Turn-on propagation delay	$V_S = 0$ V	---	140	200	ns
t_{off}	Turn-off propagation delay	$V_S = 0$ V	---	140	200	
t_{sd}	Shutdown propagation delay	$V_S = 0$ V	---	130	160	
t_r	Turn-on rise time		---	15	25	
t_f	Turn-off fall time		---	9	15	
MT	Delay matching, HS & LS turn-on/off		---	---	10	

STATIC ELECTRICAL CHARACTERISTICS

V_{BIAS} (V_{CC} , V_{BS} , V_{DD}) = 15 V and T_A = 25°C unless otherwise specified. The V_{IN} , V_{TH} , and I_{IN} parameters are referenced to V_{SS} and are applicable to all three logic input leads: HIN, LIN, and SD. The V_O and I_O parameters are referenced to COM and are applicable to the respective output leads: HO or LO.

Symbol	Parameter	Condition	Min.	Typ.	Max.	Unit
V_{IH}	Logic "1" input voltage	$V_{CC} = 10$ V to 20V	12.5	---	---	V
V_{IL}	Logic "0" input voltage		---	---	5.0	
V_{OH}	High level output voltage, $V_{BIAS} - V_O$	$I_O = 2$ mA	---	---	0.2	
V_{OL}	Low level output voltage, V_O		---	0.02	0.15	
I_{LK}	Offset supply leakage current	$V_B = V_S = 600$ V	---	---	50	μ A
I_{QBS}	Quiescent V_{BS} supply current	$V_{IN} = 0$ V	---	65	120	
I_{QCC}	Quiescent V_{CC} supply current		---	300	550	
I_{QDD}	Quiescent V_{DD} supply current		---	0.1	1	
I_{IN+}	Logic "1" input bias current	$V_{IN} = 5$ V	---	8	15	
I_{IN-}	Logic "0" input bias current	$V_{IN} = 0$ V	---	---	5	
V_{BSUV+}	V_{BS} supply undervoltage positive going threshold		7.5	8.9	9.7	V
V_{BSUV-}	V_{BS} supply undervoltage negative going threshold		7.4	8.2	9.4	
V_{CCUV+}	V_{CC} supply undervoltage positive going threshold		7.5	8.9	9.7	V
V_{CCUV-}	V_{CC} supply undervoltage negative going threshold		7.4	8.2	9.4	
I_{O+}	Output high short circuit pulsed current	$V_O = 0$ V, $V_{IN} =$ Logic "1", $PW \leq 10$ μ s	0.8	1		A
I_{O-}	Output low short circuit pulsed current	$V_O = 15$ V, $V_{IN} =$ Logic "0", $PW \leq 10$ μ s	1.2	1.6		

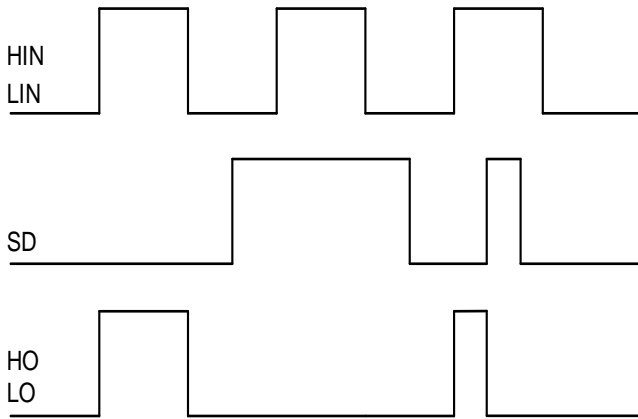


Figure 1. Input/Output Timing Diagram

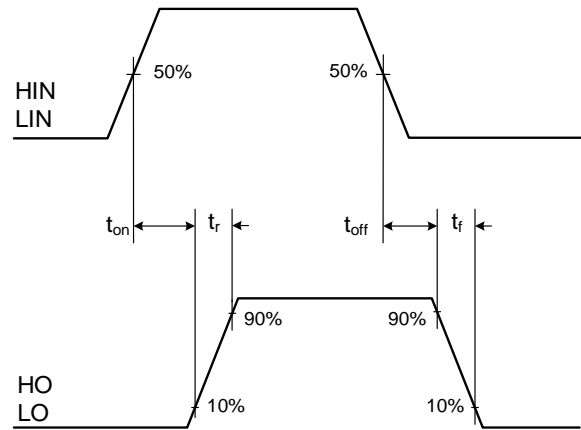


Figure 2. Switching Time Waveform Definition

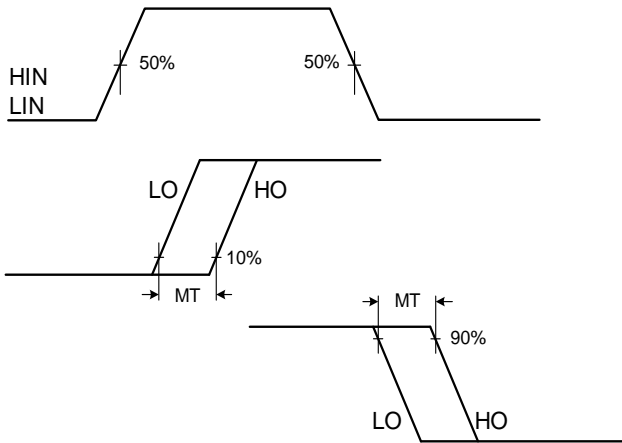


Figure 3. Delay Matching Waveform Definition

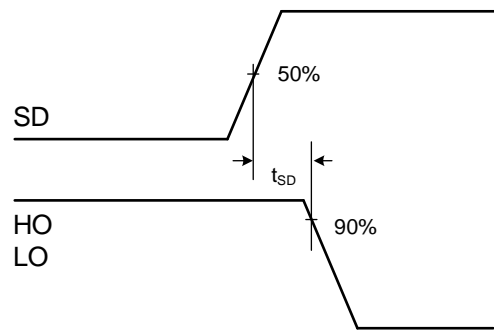


Figure 4. Shutdown Waveform Definition

PACKAGE CASE OUTLINES

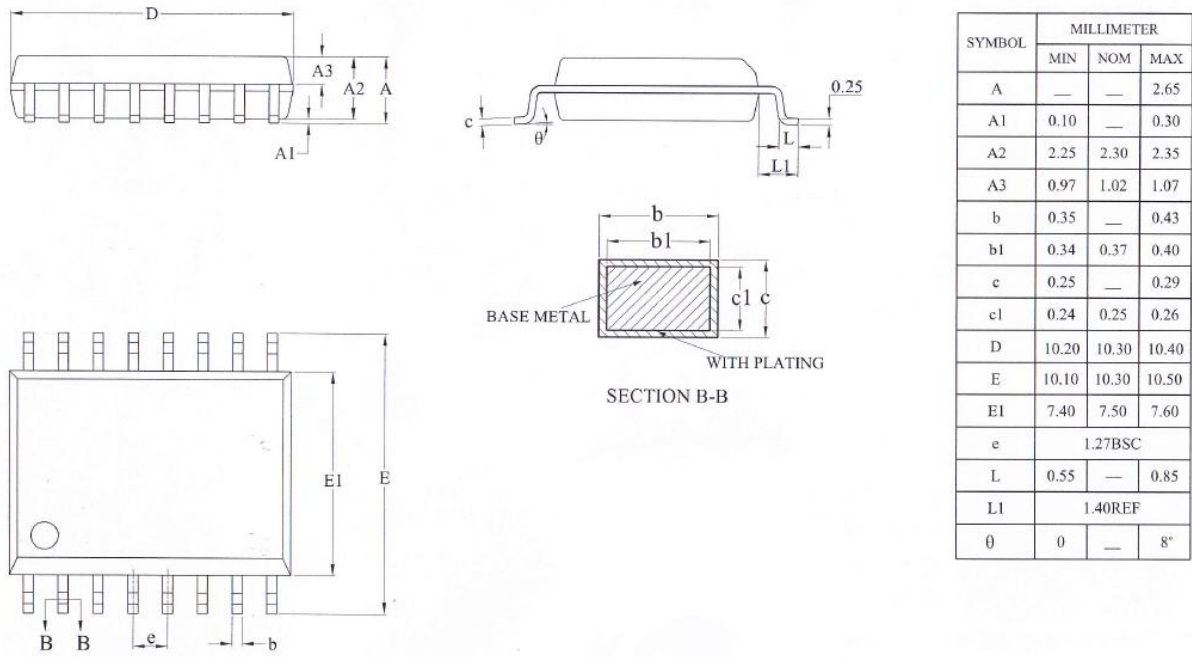


Figure 5. SOIC-16 (WB) Outline Dimensions

REVISION HISTORY

Note: page numbers for previous revisions may differ from page numbers in current version

Page or Item	Subjects (major changes since previous revision)
Rev 1.0 datasheet, 2019-8-27	
Whole document	New company logo released
Page 1	Remove "May 2019"
Rev 1.4 datasheet, 2020-3-17	
Page 5	Change V_{IL} min from 10.5V to 12.5V
Rev 1.5 datasheet, 2020-7-29	
Page 3	Modify typo in function block
Rev 1.6 datasheet, 2021-11-16	
Whole datasheet	Update the Logo and format
Page 5	Updated the t_{on} , t_{off} , t_r and t_f value in the Dynamic Electrical Characteristics. Update the V_{OH} , I_{QDD} , I_{IN+} , I_{O+} and I_{O-} value in the Static Electrical Characteristics.