

## 600V Half Bridge Driver

### PRODUCT SUMMARY

- $V_{\text{OFFSET}}$  600 V max.
- $I_{\text{O+/- (min)}}$  130 mA/270 mA
- $V_{\text{OUT}}$  10 V - 20 V
- $t_{\text{on/off (typ.)}}$  160 ns/220 ns
- **Delay Matching** 30 ns

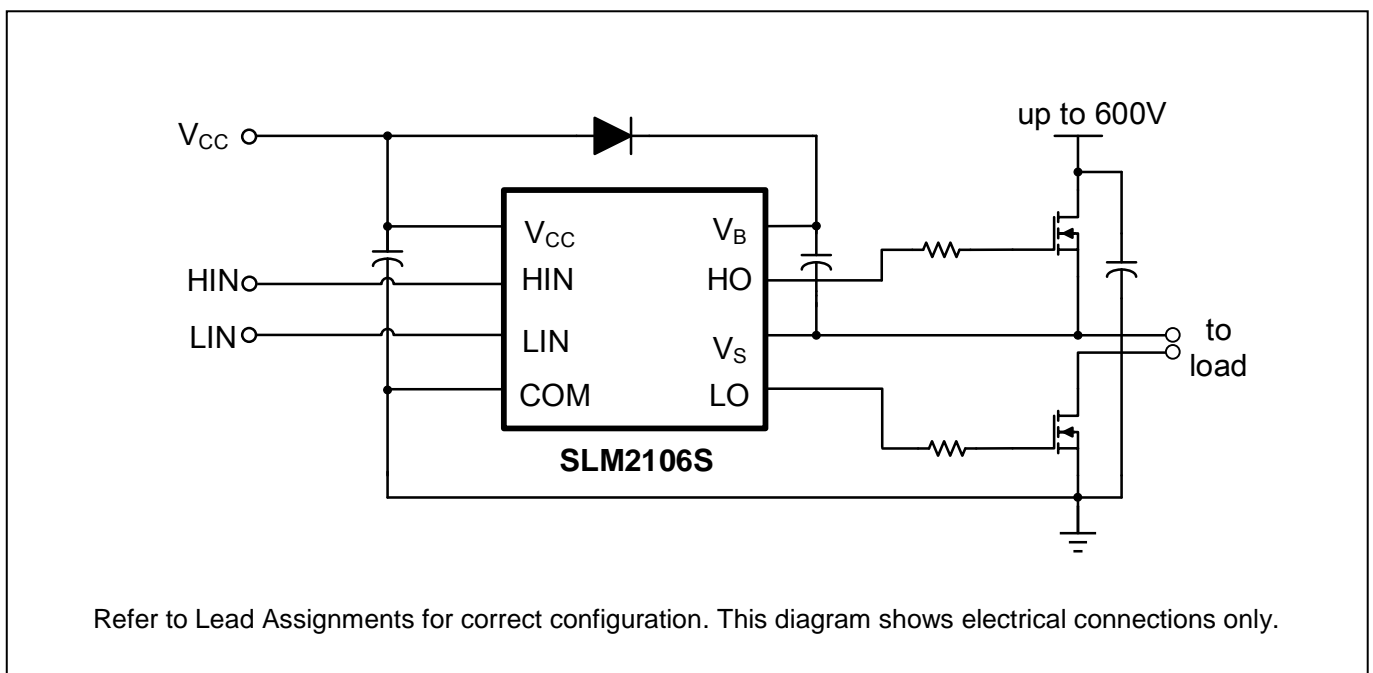
### GENERAL DESCRIPTION

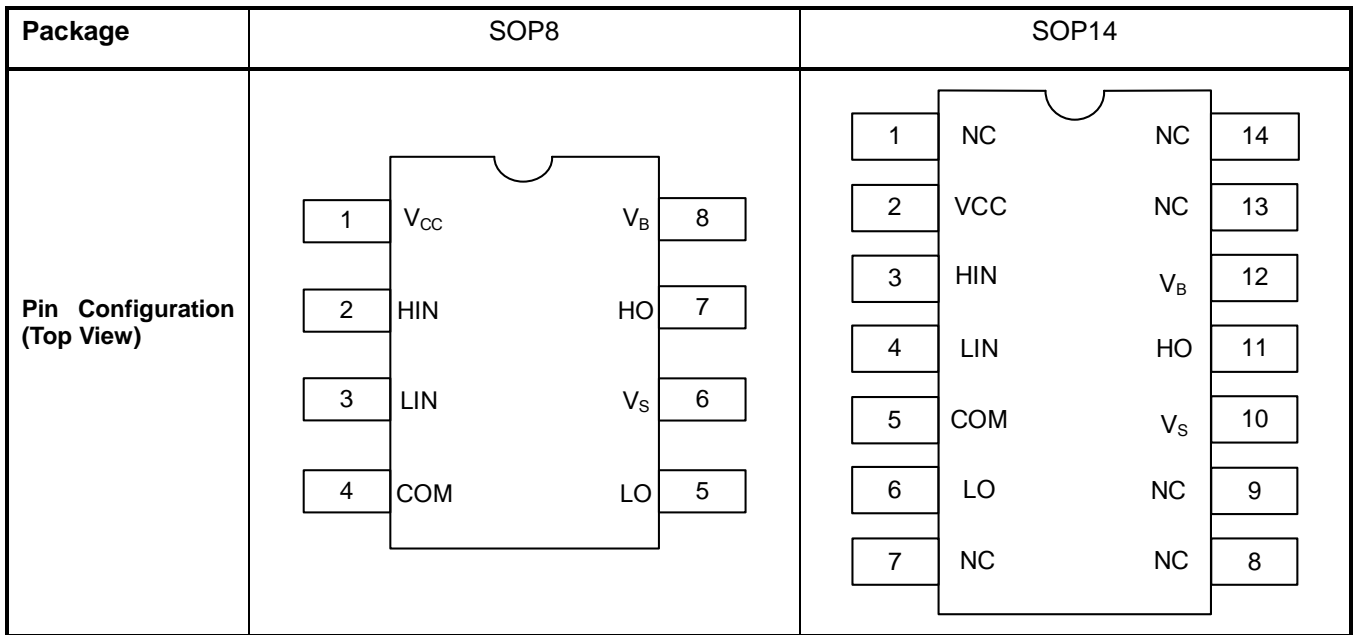
The SLM2106S is a high voltage, high speed power MOSFET and IGBT drivers. Proprietary HVIC and latch immune CMOS technologies enable ruggedized monolithic construction. The logic input is compatible with standard CMOS or LSTTL output, down to 3.3 V logic. The output drivers feature a high pulse current buffer stage designed for minimum driver cross conduction. The floating channel can be used to drive an N-channel power MOSFET or IGBT in the high-side configuration which operates up to 600 V.

### FEATURES

- Floating channel designed for bootstrap operation
- Fully operational to +600 V
- Tolerant to negative transient voltage,  $dV/dt$  immune
- Gate drive supply range from 10 V to 20 V
- Undervoltage lockout
- 3.3 V, 5 V, and 15 V logic compatible
- Cross-conduction prevention logic
- Matched propagation delay for both channels
- Outputs in phase with inputs
- RoHS compliant
- SOP8 and SOP14 package

### TYPICAL APPLICATION CIRCUIT



**PIN CONFIGURATION**

**PIN DESCRIPTION**

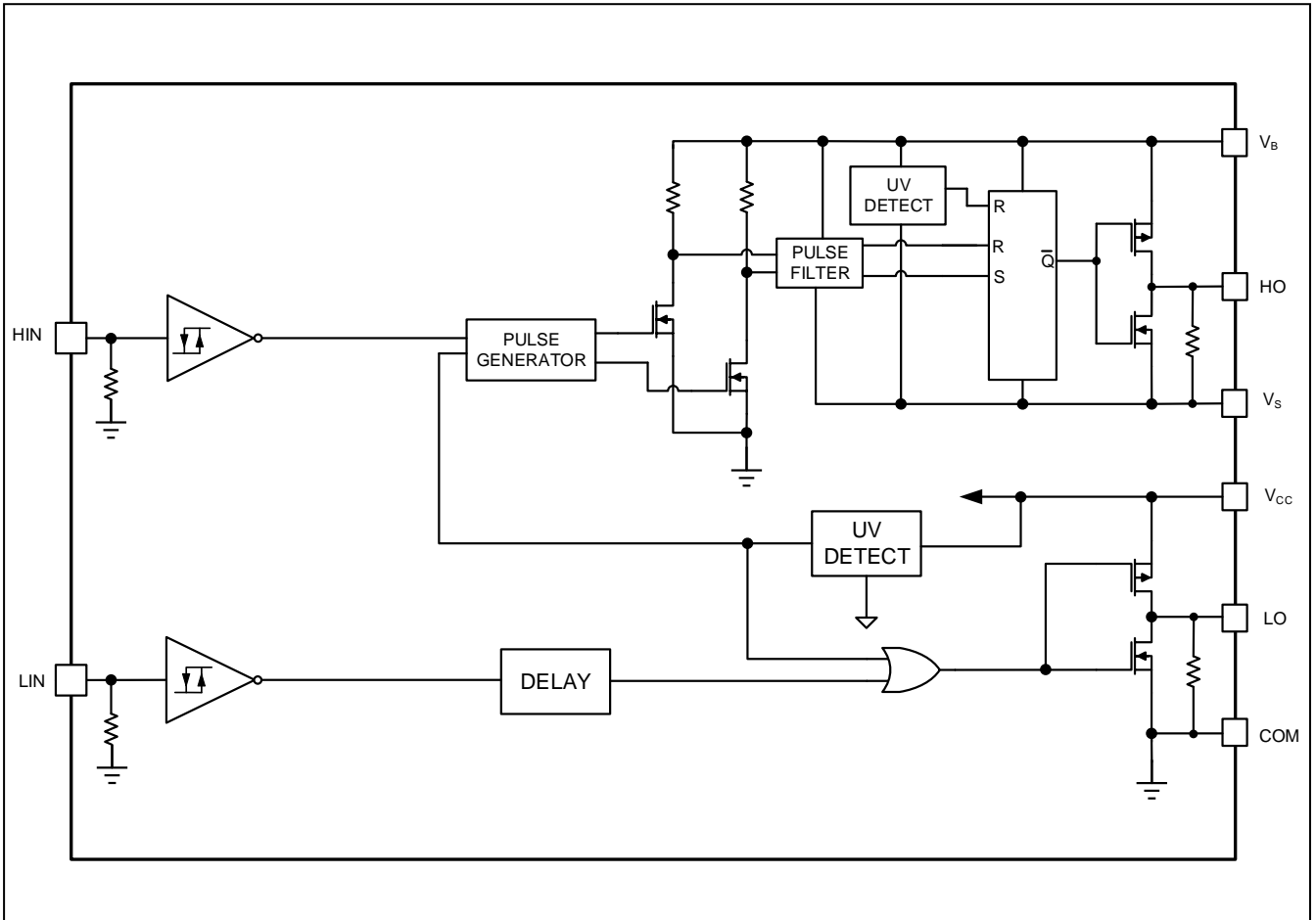
Pin No.		Pin Name	Description
SOP8	SOP14		
1	2	V <sub>CC</sub>	Low-side and logic fixed supply
2	3	HIN	Logic input for high-side gate driver output (HO), in phase
3	4	LIN	Logic input for low-side gate driver output (LO), in phase
4	5	COM	Low-side return
5	6	LO	Low-side gate drive output
6	10	V <sub>S</sub>	High-side floating supply return
7	11	HO	High-side gate drive output
8	12	V <sub>B</sub>	High-side floating supply
	1,7,8,9,13,14	NC	Not connected

**ORDERING INFORMATION**

Industrial Range: -40°C to +125°C

Order Part No.	Package	QTY
SLM2106SCA-13GTR	SOP8, Pb-Free	2500/Reel
SLM2106SCJ-13GTR	SOP14, Pb-Free	4000/Reel

**FUNCTIONAL BLOCK DIAGRAM**



**ABSOLUTE MAXIMUM RATINGS**

Symbol	Definition	Min.	Max.	Units
V <sub>B</sub>	High-side floating absolute voltage	-0.3	625	V
V <sub>S</sub>	High-side floating supply offset voltage	V <sub>B</sub> - 25	V <sub>B</sub> + 0.3	
V <sub>HO</sub>	High-side floating output voltage	V <sub>S</sub> - 0.3	V <sub>B</sub> + 0.3	
V <sub>CC</sub>	Low-side and logic fixed supply voltage	-0.3	25	
V <sub>LO</sub>	Low-side output voltage	-0.3	V <sub>CC</sub> + 0.3	
V <sub>IN</sub>	Logic input voltage (HIN & LIN)	-0.3	V <sub>CC</sub> + 0.3	
dV <sub>S</sub> /dt	Allowable offset supply voltage transient	---	50	V/ns
P <sub>D</sub>	Package power dissipation @ T <sub>A</sub> ≤ +25°C	---	0.625	W
θ <sub>JA</sub>	Thermal resistance, junction to ambient	---	200	°C/W
T <sub>J</sub>	Junction temperature	---	150	°C
T <sub>S</sub>	Storage temperature	-55	150	
T <sub>L</sub>	Lead temperature (soldering, 10 seconds)	---	300	

**Note:** Absolute maximum ratings indicate sustained limits beyond which damage to the device may occur. All voltage parameters are absolute voltages referenced to COM. The thermal resistance and power dissipation ratings are measured under board mounted and still air conditions.

**RECOMMENDED OPERATION CONDITIONS**

Symbol	Definition	Min.	Max.	Units
V <sub>B</sub>	High-side floating absolute voltage	V <sub>S</sub> + 10	V <sub>S</sub> + 20	V
V <sub>S</sub>	High-side floating supply offset voltage		600	
V <sub>HO</sub>	High-side floating output voltage	V <sub>S</sub>	V <sub>B</sub>	
V <sub>CC</sub>	Low-side and logic fixed supply voltage	10	20	
V <sub>LO</sub>	Low-side output voltage	0	V <sub>CC</sub>	
V <sub>IN</sub>	Logic input voltage (HIN & LIN)	0	V <sub>CC</sub>	
T <sub>A</sub>	Ambient temperature	- 40	125	°C

**Note:** The input/output logic timing diagram is shown in Figure 1. For proper operation the device should be used within the recommended conditions. The V<sub>S</sub> offset rating is tested with all supplies biased at a 15 V differential.

## DYNAMIC ELECTRICAL CHARACTERISTICS

$V_{BIAS}$  ( $V_{CC}$ ,  $V_{BS}$ ) = 15 V,  $C_L$  = 1000 pF and  $T_A$  = 25°C unless otherwise specified.

Symbol	Parameter	Condition	Min.	Typ.	Max.	Unit
$t_{on}$	Turn-on propagation delay	$V_S = 0$ V	---	160	220	ns
$t_{off}$	Turn-off propagation delay	$V_S = 0$ V	---	220	280	
$t_r$	Turn-on rise time		---	70	170	
$t_f$	Turn-off fall time		---	35	90	
MT	Delay matching, HS & LS turn-on/off		---	---	30	

## STATIC ELECTRICAL CHARACTERISTICS

$V_{BIAS}$  ( $V_{CC}$ ,  $V_{BS}$ ) = 15 V and  $T_A$  = 25°C unless otherwise specified. The  $V_{IN}$ ,  $V_{TH}$ , and  $I_{IN}$  parameters are referenced to COM and are applicable to all logic input leads: HIN and LIN. The  $V_O$  and  $I_O$  parameters are referenced to COM and are applicable to the respective output leads: HO or LO.

Symbol	Parameter	Condition	Min.	Typ.	Max.	Unit
$V_{IH}$	Logic "1" input voltage	$V_{CC} = 10$ V to 20V	2.5	---	---	V
$V_{IL}$	Logic "0" input voltage		---	---	0.8	
$V_{OH}$	High level output voltage, $V_{BIAS} - V_O$	$I_O = 2$ mA	---	0.05	0.2	
$V_{OL}$	Low level output voltage, $V_O$		---	0.02	0.1	
$I_{LK}$	Offset supply leakage current	$V_B = V_S = 600$ V	---	---	50	
$I_{QBS}$	Quiescent $V_{BS}$ supply current	$V_{IN} = 0$ V	---	60	78	
$I_{QCC}$	Quiescent $V_{CC}$ supply current		---	220	280	
$I_{IN+}$	Logic "1" input bias current	$V_{IN} = 5$ V	---	8	15	
$I_{IN-}$	Logic "0" input bias current	$V_{IN} = 0$ V	---	---	5	
$V_{CCUV+}$ $V_{BSUV+}$	$V_{CC}$ & $V_{BS}$ supply undervoltage positive going threshold		8	8.9	9.8	V
$V_{CCUV-}$ $V_{BSUV-}$	$V_{CC}$ & $V_{BS}$ supply undervoltage negative going threshold		7.4	8.2	9	
$I_{O+}$	Output high short circuit pulsed current	$V_O = 15$ V, $V_{IN} =$ Logic "1", $PW \leq 10$ $\mu$ s	130	290		mA
$I_{O-}$	Output low short circuit pulsed current	$V_O = 0$ V, $V_{IN} =$ Logic "0", $PW \leq 10$ $\mu$ s	270	600		

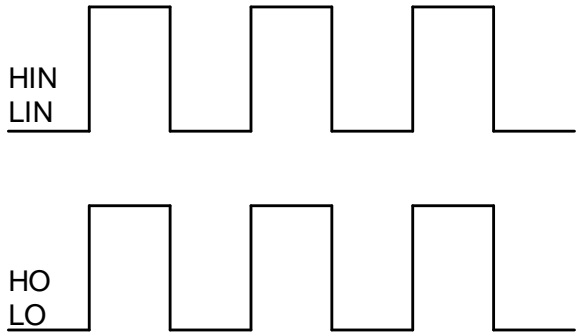


Figure 1. Input/Output Timing Diagram

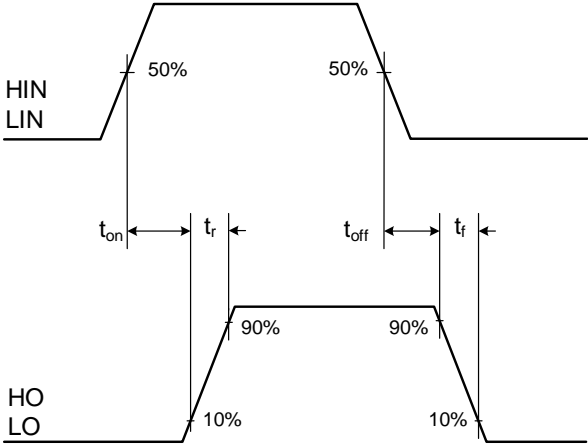


Figure 2. Switching Time Waveform

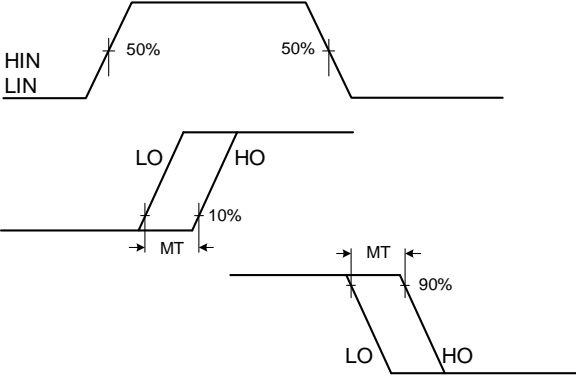


Figure 3. Delay Matching Waveform

**PACKAGE CASE OUTLINES**

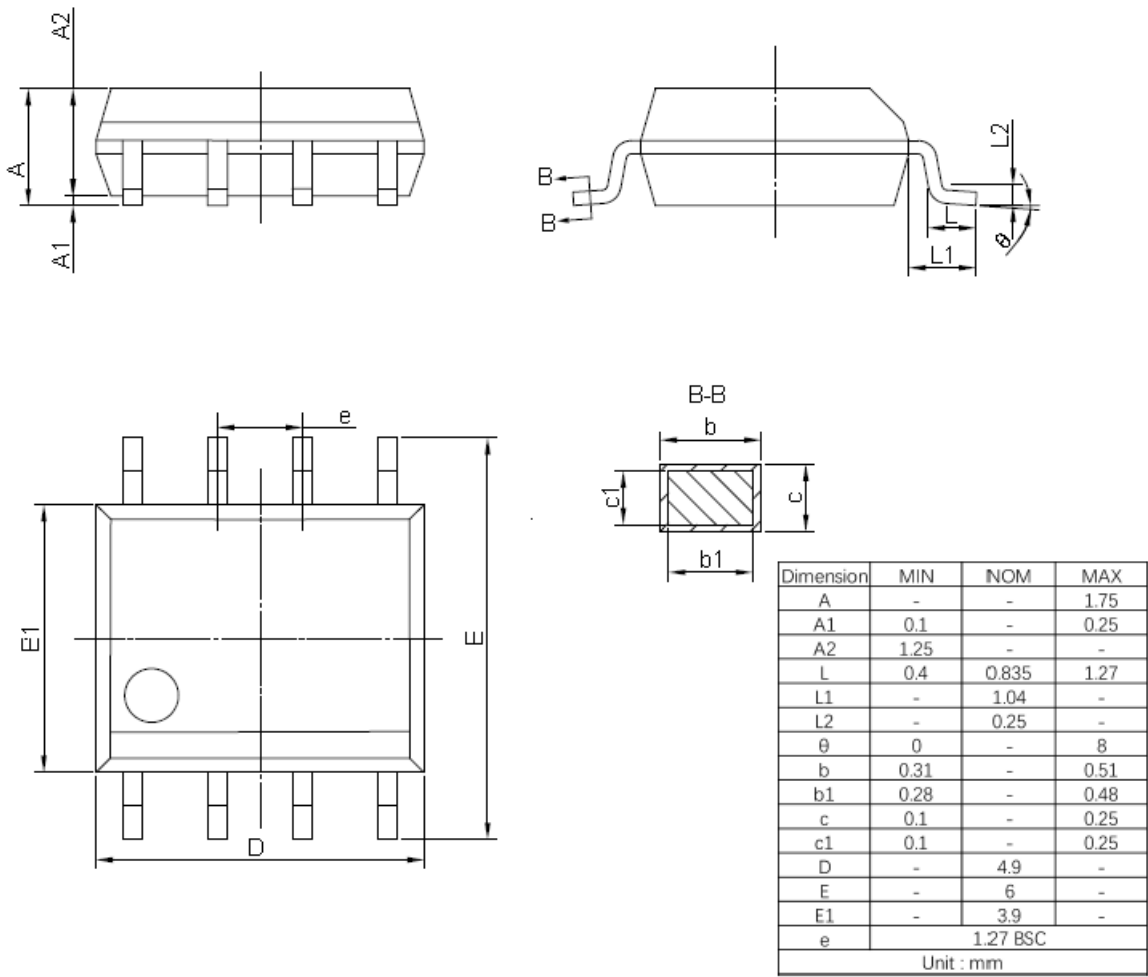


Figure 4. SOP8 Outline Dimensions

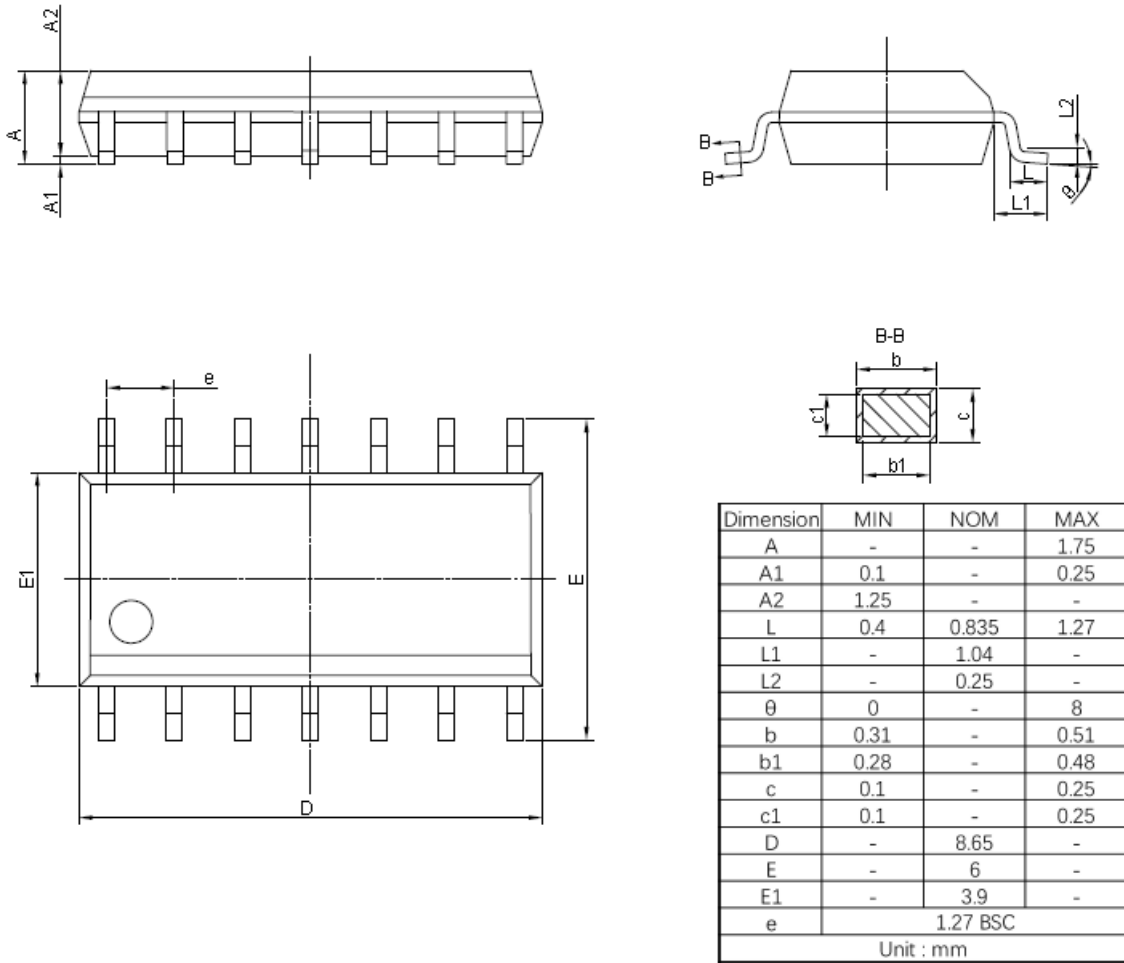


Figure 5. SOP14 Outline Dimensions



**REVISION HISTORY**

Note: page numbers for previous revisions may differ from page numbers in current version

<b>Page or Item</b>	<b>Subjects (major changes since previous revision)</b>
<b>Rev 1.0 datasheet, 2019-8-29</b>	
Whole document	new company logo released
Page 1	Removed "Fig 1. "
<b>Rev 1.1 datasheet, 2019-10-21</b>	
Page 1	Change "high side and low side driver" to "600V half-bridge driver"
<b>Rev 1.2 datasheet, 2021-Oct-29</b>	
Whole datasheet	Update the Logo and format
Page 1	Remove PDIP-8 package
Page 2	Remove SLM2106SCA-GT and SLM2106SDA-GT in ordering information
Page 3	Update the functional block diagram
Page 5	Update the $V_{OH}$ , $V_{OL}$ and $I_{OCC}$ in static electrical characteristics table
<b>Rev 1.3 datasheet, 2022-May-10</b>	
Whole datasheet	Change package name from SOIC-8 to SOP8, SOIC-14 to SOP14, and update the package case outlines